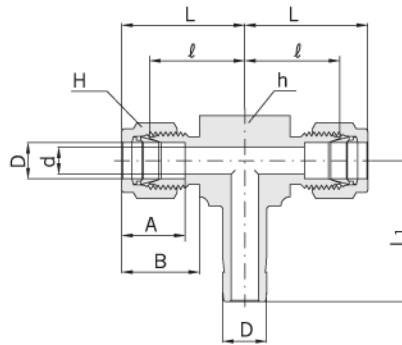


Adjustable Branch Tee

AJBT



Connects Fractional Tube To Fractional Hn-Lok Port

Part No.	Tube O.D. D		d Min.	Width across flat				A	B	ℓ	L	L ₁
	in	mm		h		H						
				in	mm	in	mm					
AJBT - 01	1/16	1.58	0.76	3/8	9.52	5/16	7.93	8.63	10.92	14.00	22.30	16.00
AJBT - 02	1/8	3.17	2.03	3/8	9.52	7/16	11.11	12.70	15.24	15.74	22.30	20.59
AJBT - 03	3/16	4.76	3.04	1/2	12.70	1/2	12.70	13.71	16.00	17.78	25.40	22.48
AJBT - 04	1/4	6.35	4.32	1/2	12.70	9/16	14.28	15.24	17.78	19.55	27.00	25.00
AJBT - 05	5/16	7.93	5.59	9/16	14.28	5/8	15.87	16.25	18.54	21.33	28.80	27.08
AJBT - 06	3/8	9.52	6.86	5/8	15.87	11/16	17.46	16.76	19.30	23.11	31.50	26.00
AJBT - 08	1/2	12.70	9.40	13/16	20.63	7/8	22.22	22.86	21.84	25.90	36.00	37.30
AJBT - 10	5/8	15.87	11.94	15/16	23.80	1	25.40	24.38	21.84	28.70	38.80	41.75
AJBT - 12	3/4	19.05	14.73	1-1/16	26.98	1-1/8	28.57	24.38	21.84	29.71	38.80	42.60
AJBT - 14	7/8	22.22	18.28	1-3/16	30.00	1-1/4	31.75	25.90	21.84	34.54	39.80	49.39
AJBT - 16	1	25.40	20.32	1-3/8	34.92	1-1/2	38.10	31.24	26.41	36.83	49.02	55.60

Connects Metric Tube To Metric Hn-Lok Port

Part No.	Tube O.D. D	d Min.	Width across flat		A	B	ℓ	L	L ₁
			h	H					
AJBT - M03	3	1.9	9.5	12	12.9	15.3	15.7	22.3	20.5
AJBT - M04	4	2.2	12.7	12	13.7	16.4	18.8	25.4	23.0
AJBT - M06	6	4.1	12.7	14	15.3	17.7	19.6	27.0	25.0
AJBT - M08	8	5.6	14.3	16	16.2	18.6	21.3	28.8	27.2
AJBT - M10	10	7.1	17.5	19	17.2	19.5	23.9	31.5	29.5
AJBT - M12	12	8.8	20.6	22	22.8	22.0	25.9	36.0	37.3
AJBT - M15	15	11.2	27.0	25	24.4	22.0	28.7	38.8	41.6
AJBT - M16	16	12.0	27.0	25	24.4	22.0	28.7	38.8	41.8
AJBT - M18	18	13.9	27.0	30	24.4	22.0	29.7	39.8	42.6
AJBT - M20	20	15.5	30.0	32	26.0	22.0	32.5	42.6	67.1
AJBT - M22	22	16.1	30.0	32	26.0	22.0	32.5	42.6	47.2
AJBT - M25	25	19.9	34.9	38	31.3	26.5	36.8	49.1	55.6
AJBT - M28	28	22.5	41.0	46	36.6	36.6	43.2	64.0	65.0